

AMRAD  **Medical**

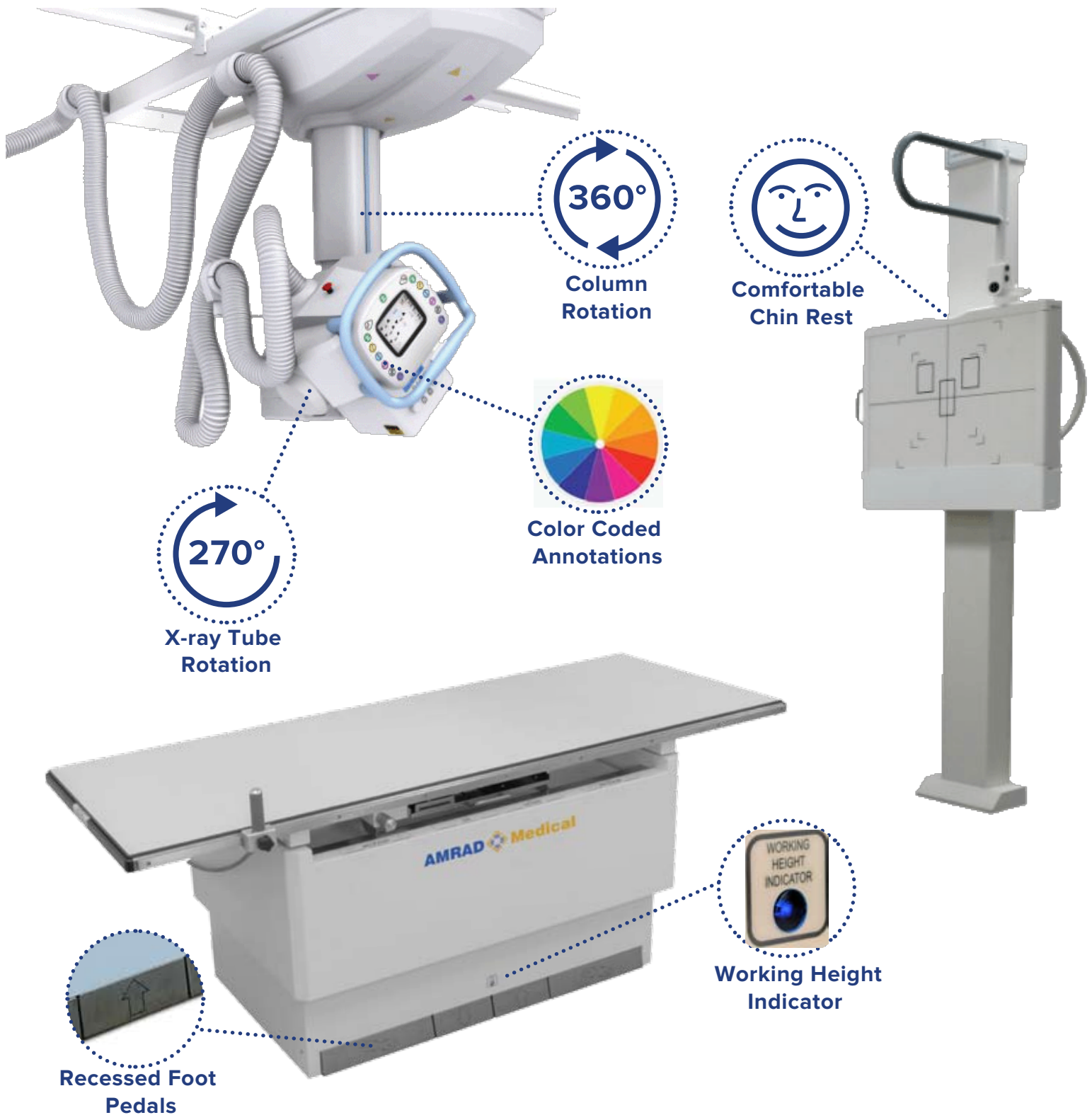


OTS *Classic*

PREMIER RADIOGRAPHIC SYSTEM

Performance, Versatility, and Low Cost of Ownership

The OTS Classic delivers maximum capability and is designed for use in orthopedics, imaging centers, free-standing ERs and hospitals. Technologist-friendly features, such as the one-touch lock release and color-coded annotations make positioning fast, improving patient throughput. Safety features like locks that hold firm in the event of a power outage, the recessed foot pedals on the elevating table and positioning features like the comfortable patient chin rest on the wall stand allow the technologist to focus on the patient improving the quality of the patient experience.





OTS

Optimally balanced ceiling mounted tube stand makes for featherweight, easy movement

Ceiling mounted tube stand for maximum flexibility

Recommended ceiling height 9' to eliminate any positioning challenges

Perfect for facilities who have delicate patients with limited agility

J1000 WALLSTAND

Ergonomic lock-release for ease of positioning

PA Hand grips for patient stability

Overhead Patient Grip for positioning ease

Conveniently placed chin rest ensures patient comfort and aligns the body to the receptor for upright exams



S222 TABLE

650 lb. patient weight capacity

Whisper quiet for patient comfort when they need it the most

Programmable working height to fit any situation

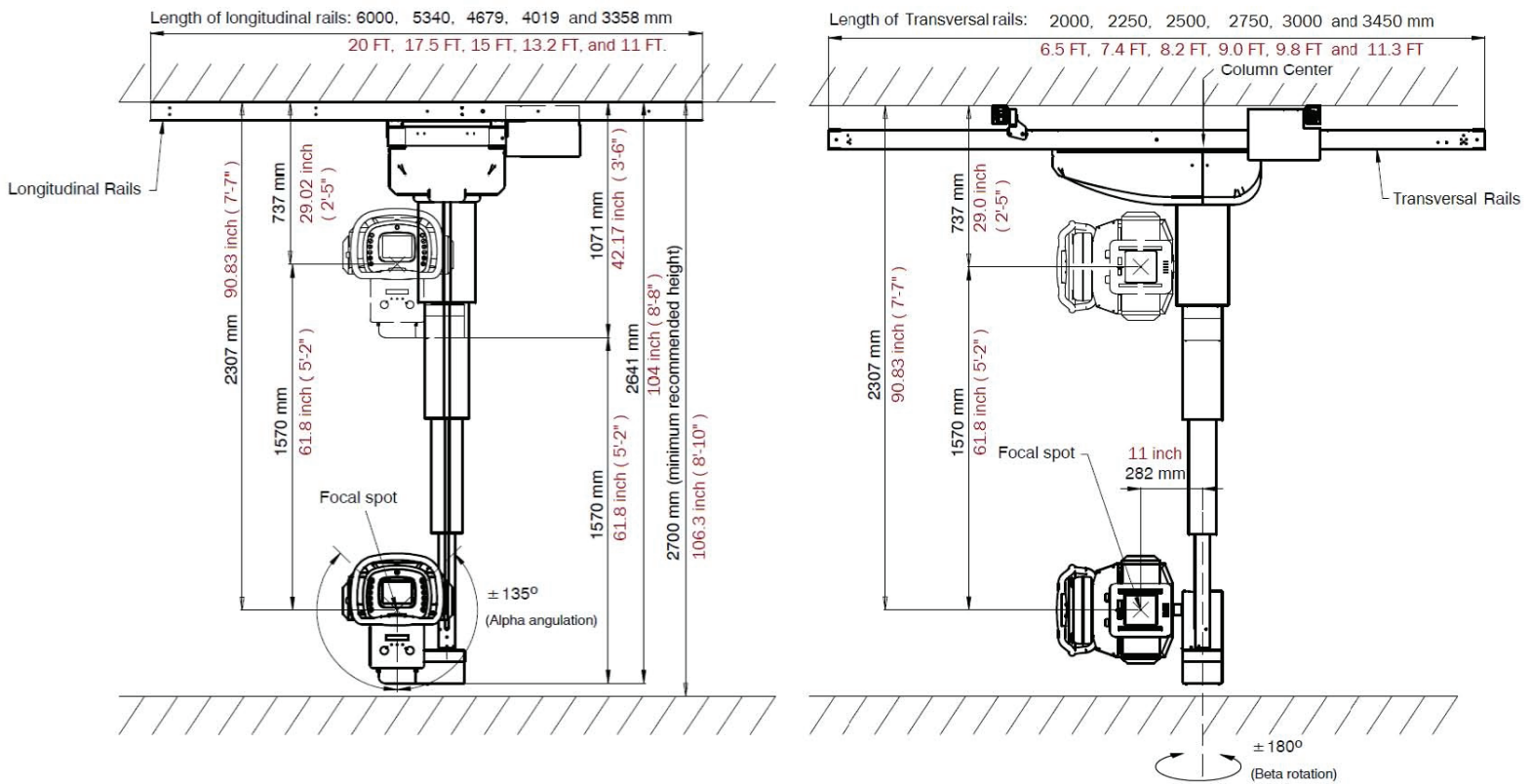
Recessed four pedal design provides easy operation and patient safety



Smart Investment

The OTS Classic offers equal features and earns equal reimbursement to all of more costly competition and all of this at 5 times the warranty.

Smart Decisions equal smart investments. Be Smart!



www.amradmedical.com

SUMMIT INDUSTRIES, LLC
 7555 N. Caldwell Avenue, Niles, Illinois 60714
 (p) 773-353-4000 | (p) 1-800-729-9729



LITR0034-1020